

**THOR**  
**ECHO**

**INSTALLATION INSTRUCTION**



# CONTENT

General information	4
Accessories (Components) list	5
Required tools	6
General installation recommendations	6
Installation location	8
Positioning the THOR ECHO speaker	8
Installation sequence	9
Wiring diagram	10
Warranty conditions	12
Manufacturer information	13

# GENERAL INFORMATION

THOR ECHO speaker is an additional component of THOR electronic exhaust system.

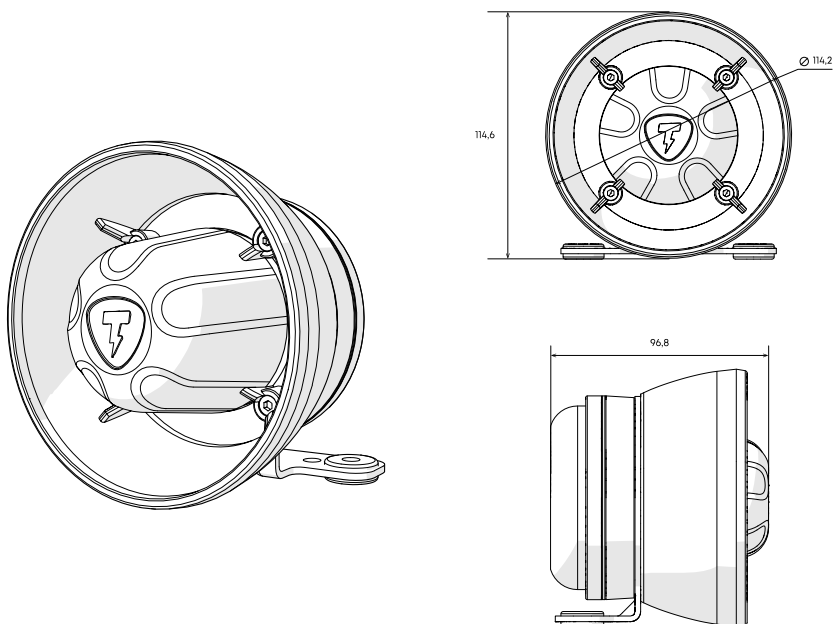
THOR ECHO is used for reproduction of high sound frequencies located in the range from 700 Hz to 7000 Hz.

THOR ECHO speaker dimensions and weight:

- Outer diameter 113.5 mm;
- Depth 106.4 mm;
- Diameter of mounting holes 6,5 mm;
- Net weight 1.5 kg.

# ACCESSORIES (COMPONENTS) LIST

- Speaker with bracket and 3m cable (Picture 1);
- Crossover;
- Fixing hardware:
  - Stainless steel screw with semicircular head with flange ISO 7380-2 TX star-shaped, slot TX (TORX) M6x20 - 4 pcs;
  - Washer ISO7089 6x12 - 8 pcs;
  - Self-locking nut DIN985 (or ISO 10511) M6 - 4 pcs;
- Ties 3,6x300 for crossover fastening - 2 pcs;
- Additional angle bracket - 1 pcs;
- Instructions.



Picture 1 - THOR ECHO

# REQUIRED TOOLS

- Electrician's tool kit;
- Set of locksmith tools;
- Control and measuring instruments;
- Welding machine (if necessary).

# GENERAL INSTALLATION RECOMMENDATIONS

If you have no experience in installing electronic devices on a vehicle, it is recommended that you contact a professional installer.

Unqualified installation may cause damage to the vehicle or components of the THOR electronic exhaust system. In this case, THOR is not liable for any damage incurred.



If this is the first time you are connecting a THOR ECHO component to this vehicle, please contact THOR Technical Support for installation information.

Technical support contacts: Phone / Whatsapp: +74951338589  
E-mail: [service@thor-tuning.com](mailto:service@thor-tuning.com)

Use the following guidelines to successfully install THOR ECHO:

- The structure must be strong enough to hold the THOR ECHO speaker and resistant to high vibration loads.
- The speaker must be positioned so that the plastic parts do not come into contact with the bodywork.
- When mounting the THOR ECHO, thermal clearances from the vehicle's exhaust system (at least 3 cm) must be provided to protect the speaker from high temperatures and overheating.
- Do not mount the THOR ECHO speaker close to the exhaust system components (mufflers, resonators and pipes) of the vehicle or in close proximity to the exhaust manifold! This will void the manufacturer's warranty.
- If necessary, use the application instructions from the official website <https://thor-tuning.com>



# INSTALLATION LOCATION

The THOR ECHO speaker requires mounting to fixed body parts:

- rear bumper and its reinforcement;
- spars;
- underbody cavities and pockets.

# POSITIONING THE THOR ECHO SPEAKER

- The speaker horn must be turned to the rear bumper or to the ground.
- The speaker can be installed in the side plane.
- Do not install the speaker in the horn facing direction of the vehicle.
- Do not install the speaker with the horn facing upwards.
- Do not install the speaker below the ground clearance of the vehicle.



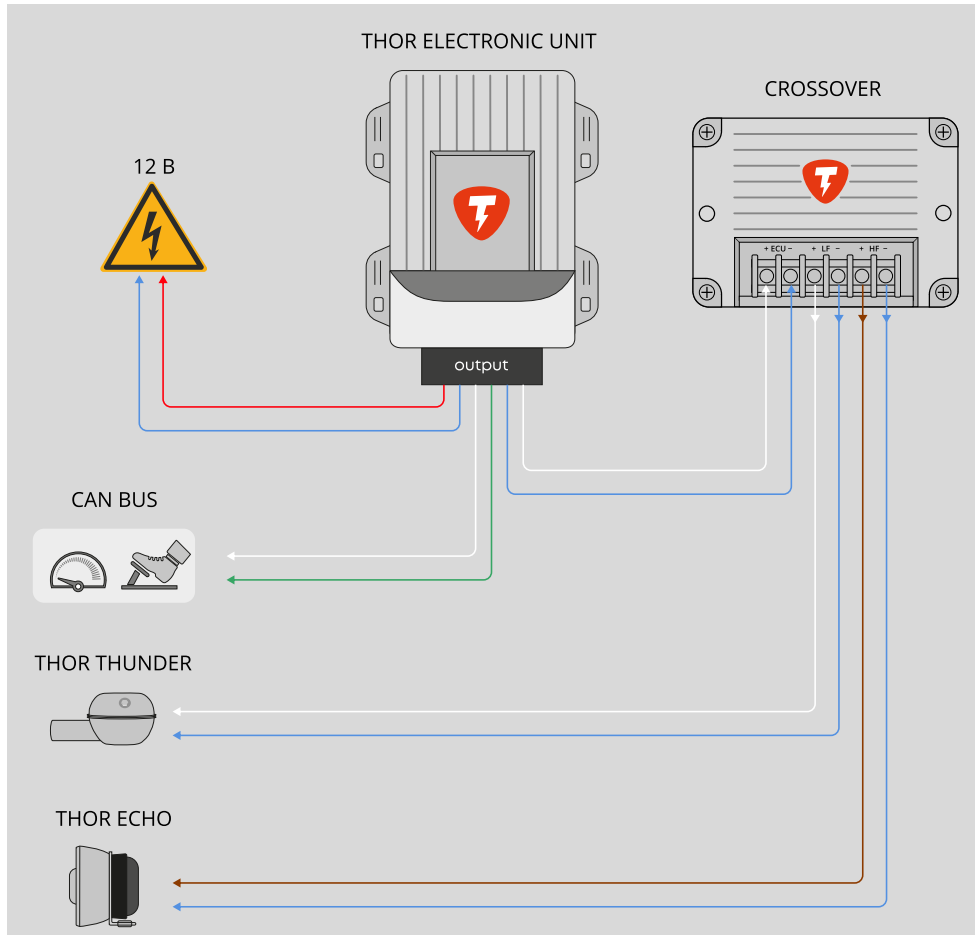
# INSTALLATION SEQUENCE

1. Determine the location where the THOR ECU is installed.
2. Determine the location to install the THOR ECHO speaker.
3. Install the THOR ECHO speaker and crossover using the supplied fasteners.
4. Route the speaker cable into the passenger compartment through the standard mounting holes to ensure a tight seal.
5. Connect the THOR ECHO speaker to the crossover according to the wiring diagram.
6. After installation is complete start the car and check, if the sound comes correctly.

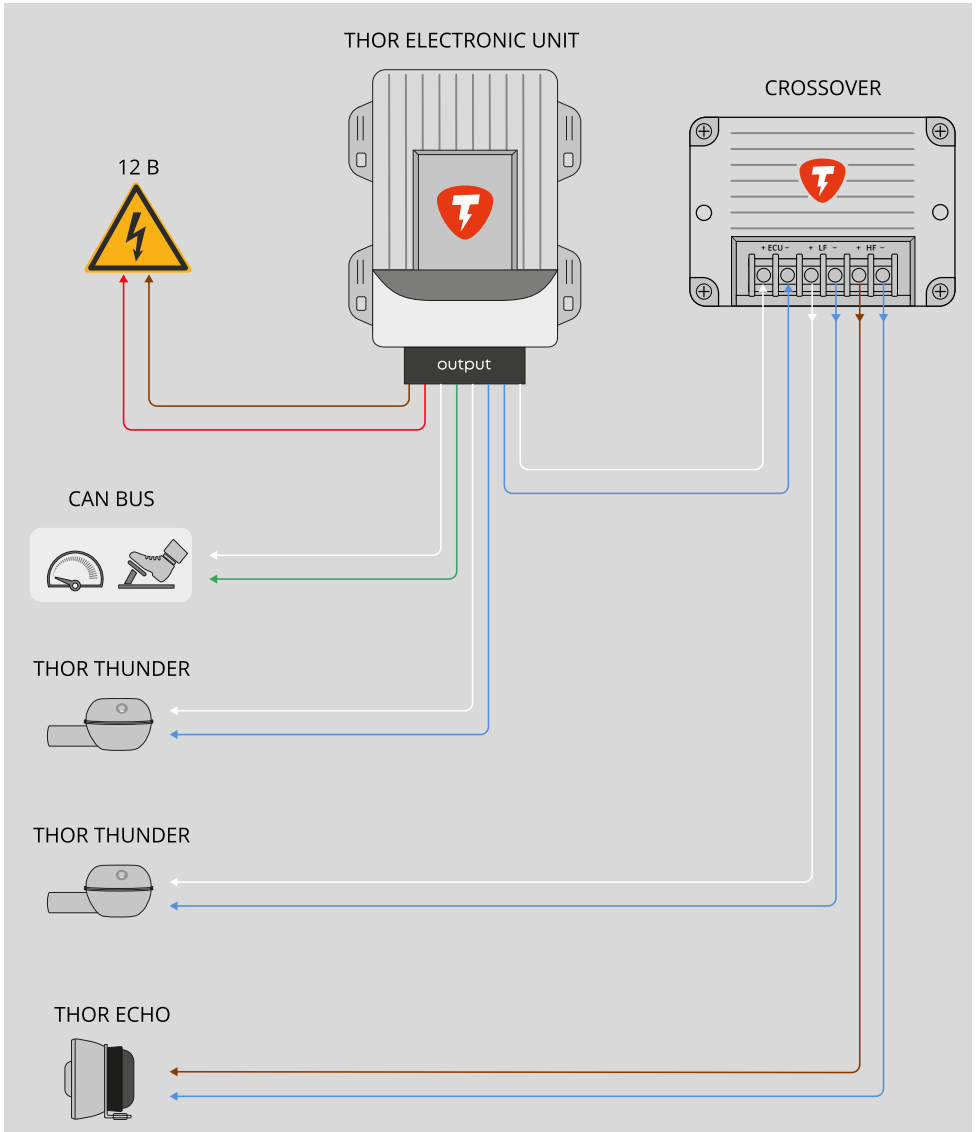
# WIRING DIAGRAM

There are two ways to connect the speakers to the system.

Refer to pictures 2 and 3 for wiring diagrams.



Picture 2 - Wiring diagram (one THOR THUNDER speaker)



Picture 3 - Wiring diagram (two THOR THUNDER speakers)

# WARRANTY CONDITIONS

The warranty period of the THOR ECHO speaker is 1,5 years from the date of installation, but not more than 2 years from the date of manufacture.

THOR ECHO speaker must be professionally installed in certified installation centers. A private person who undertakes the installation of the system assumes all responsibility for damage to the vehicle due to lack of experience, necessary knowledge and tools for installation of the system.

THOR ECHO components that fail during the warranty period due to the manufacturer's fault must be replacement or repair by the installer.

Serviceable components are not subject to replacement under the warranty.

The manufacturer's (installer's) decisions on claims are final. Defective parts that have been replaced are the property of the manufacturer (installer).

The consumer is deprived of the right to warranty service in the following cases:

- upon expiration of the warranty period;
- in case of violation of the rules of installation, operation, transportation and storage; in case of mechanical damage, including exposure to fire and ingress of aggressive liquids or water;
- if THOR electronic exhaust system components are used together with components of other manufacturers without proper authorization of THOR;
- in case of attempts of self-repair. if there are traces of disassembly and assembly of the system components.

After the system has been dismantled, the warranty for a new installation is agreed upon upon further request to THOR Technical Support.

Maintenance of THOR electronic exhaust system with expired warranty period is at the expense of the consumer.

# MANUFACTURER INFORMATION

Limited Liability Company "Car Systems"

Address: Dubai South, Dubai, UAE PO Box 713565

40 D. Demirtshyan str., Kentron 0002 Yerevan city, Armenia

Web-site: [www.thor-tuning.com](http://www.thor-tuning.com)

Phone: +371 661 6 33 22

E-mail: [Partners@thor-tuning.com](mailto:Partners@thor-tuning.com)



THOR

[www.thor-tuning.com](http://www.thor-tuning.com)